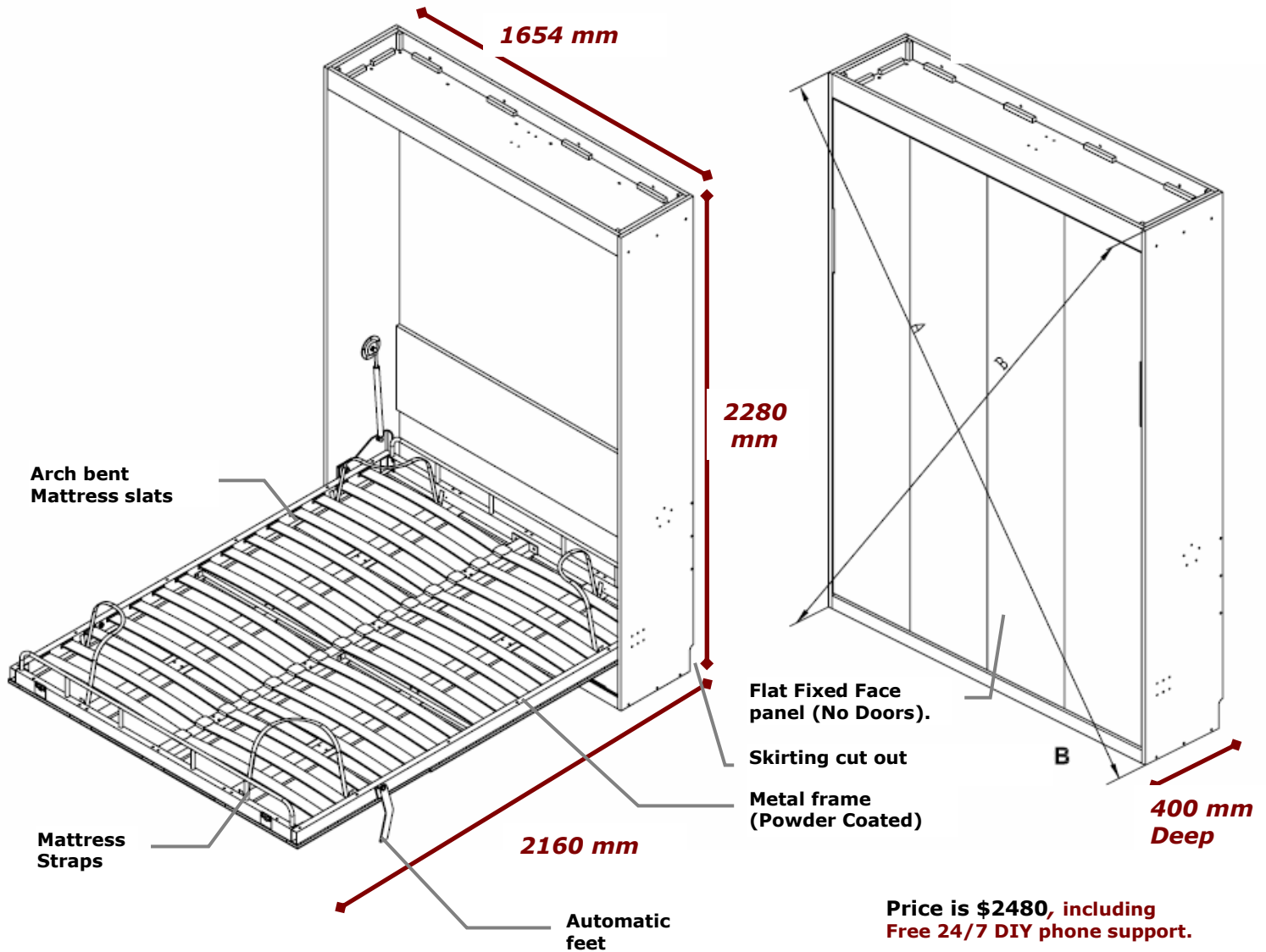




**NEW 2009 Model  
Space Saver Queen bed  
The DIY Flat Pack**



**Benefits:**

**Modular:** Light weight construction, can be disassembled and relocated. Also add other standard shelving/storage side units. (as needed). Totally flat packed for easy storage and transportation.

**Easy DIY assembly:** Home renovators- it takes 2 people for a fun and safe flat pack assembly. Takes about 3 hours to complete. **Basic Knowledge and tools needed.**

**Bed Comfort:** Real bed comfort with European slat system that adjusts to the contours of the body. This bed uses a standard inner spring queen size mattress (optional). Plus the benefit of **saving 70% of floor space** when not in use.

**Customisable:** Already pre primed /undercoated in white. Just add paint or other decorative finishes to blend with your decor.

**Showroom Locations**

**Euro DIY Mechanism and New 2009 model Flat Pack DIY queen bed is** on display at: Rockdale Mattress Factory, 610 Princes Highway **Rockdale**.

**Quality and**

**Strength:** Powder coated metal bed frame, MDF cabinetry backed by a **2 Year nation wide warranty.**

**Compact Size:** When not in use. Keep all pillows, blankets ready made with your standard mattress with in the complete 40 cm deep slim line cabinetry.

**“Essentially our most popular complete DIY space saver bed solution”.** The quick fix solution for family friends staying over. Double your home/office or spare room as a guest room.

enjoy more space

Call to order on  
**1300 880 857**  
or visit  
**www.hideawaybeds.com.au**